

600A/900A 15/25kV Class Deadbreak Junction



APPLICATION

The Chardon 600A/900 A, 15/25 kV Class Deadbreak Junction provides two, three or four deadbreak interfaces in an EPDM insulated rubber body. Deadbreak junctions are used in pad-mounted apparatus, underground vaults, and other installations to connect equipment and cable on primary feeder and network circuits.

Chardon deadbreak connectors feature bolted connections can be easily connected and disconnected. When mated with a comparably

rated product, the junction provides a fully shielded, submersible connection for deadbreak operation. The deadbreak junction is available with stainless steel adjustable brackets for mounting at various operating angles, or with stainless steel "U" straps for direct wall mounting.

Chardon Deadbreak Junctions are rated 900A continuous when copper components are used. To order a 900A product, please see the part number list in page 2.

PRODUCTION TESTS

Tests conducted in accordance with IEEE/ANSI Standard 386™:

- / Minimum Corona Voltage Level – 19 kV
- / AC 60 Hz 1 Minute Withstand – 40 kV

Tests conducted in accordance with Chardon requirements:

- / Physical Inspection
- / Periodic Dissection
- / Periodic Fluoroscopic Analysis

VOLTAGE RATINGS AND CHARACTERISTICS

Voltage Class	25 kV
Max. Rating Phase to Phase	15.2 kV
AC 1 Minute Withstand	40 kV
DC 15 Minute Withstand	78 kV
BIL and Full Wave Crest	125 kV
Minimum Corona Voltage Level	19 kV

CURRENT RATINGS AND CHARACTERISTICS

Description	Amperes
Continuous	600 A rms
4 Hour Overload	1,000 A rms
Short Time	<ul style="list-style-type: none"> • 25,000 A rms symmetrical for 0.17s • 10,000 A rms symmetrical for 3.0s

• 25DJ600-112018-REV04

ORDERING INFORMATION

Each kit Contains:

- / Deadbreak Junction (with mounting bracket or straps, depending on product ordered)
- / Shipping Caps (not for energized operation)
- / Silicone Grease
- / Installation Instruction Sheet

Deadbreak Junction Part Numbers

Description	Junction Only	Junction with Stainless Steel Bracket	Junction with U-Straps
15/25 kV, 600A Deadbreak Junction - 2 Way (AL)	25-DJ600F2	25-DJ600F2SS	25-DJ600F2U
15/25 kV, 900A Deadbreak Junction - 2 Way (CU)	25-DJ900F2	25-DJ900F2SS	25-DJ900F2U
15/25 kV, 600A Deadbreak Junction - 3 Way (AL)	25-DJ600F3	25-DJ600F3SS	25-DJ600F3U
15/25 kV, 900A Deadbreak Junction - 3 Way (CU)	25-DJ900F3	25-DJ900F3SS	25-DJ900F3U
15/25 kV, 600A Deadbreak Junction - 4 Way (AL)	25-DJ600F4	25-DJ600F4SS	25-DJ600F4U
15/25 kV, 900A Deadbreak Junction - 4 Way (CU)	25-DJ900F4	25-DJ900F4SS	25-DJ900F4U

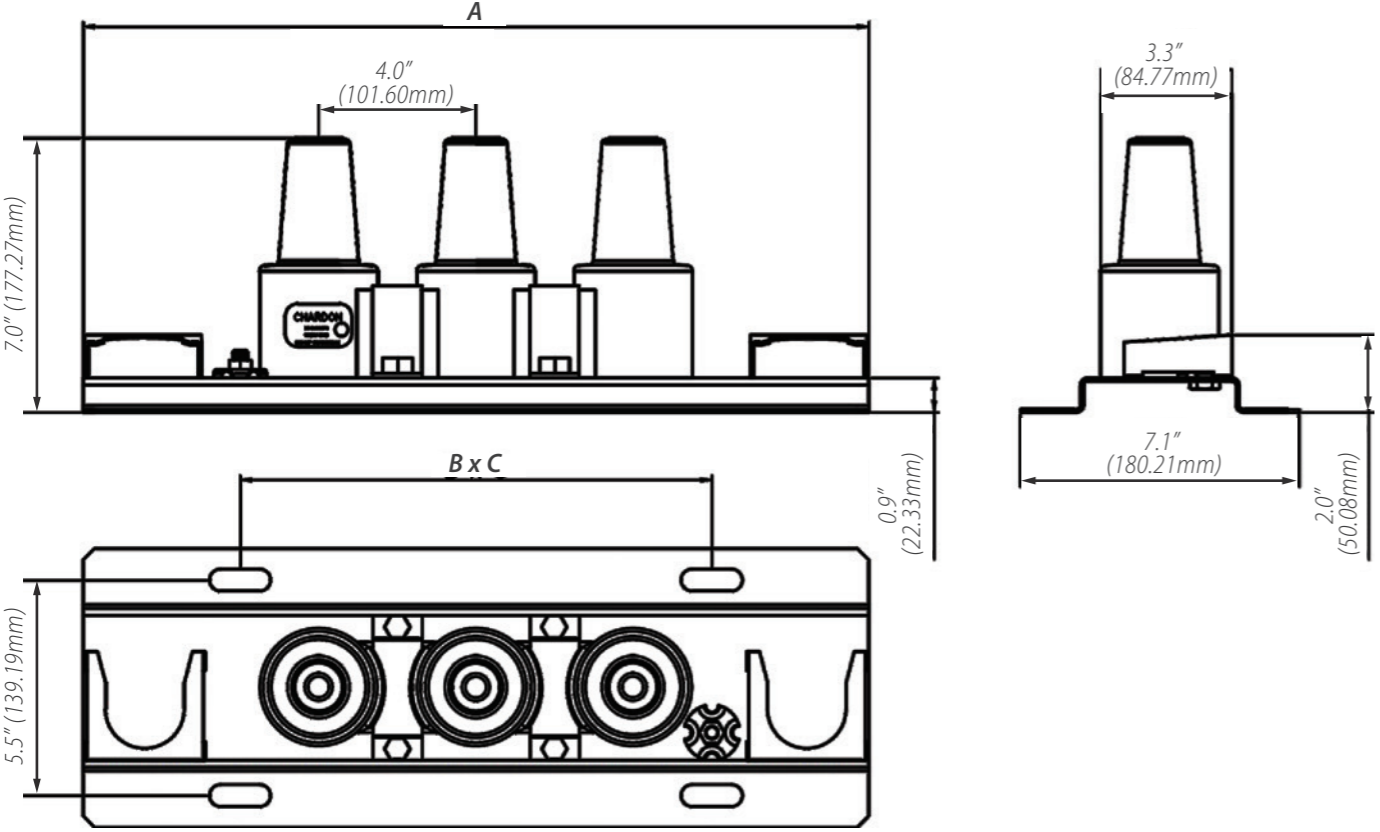
* Chardon provides adjustable bracket, to order an adjustable bracket, add "ADJ" in the end of part numbers, for example, 25-DJ600F2SS-ADJ.

Replacement Parts

Description	Catalog Number
U-Strap kit with Hardware (1 strap)	25-DJ600U
Stainless Steel Bracket Assembly (2-way)	25-DJBKT2S
Stainless Steel Bracket Assembly (3-way)	25-DJBKT3S
Stainless Steel Bracket Assembly (4-way)	25-DJBKT4S

* 1 U-Strap for a 2 way junction, and 2 and 3 U-Straps for 3 or 4 way junctions.

JUNCTION WITH BRACKET DIMENSIONAL INFORMATION

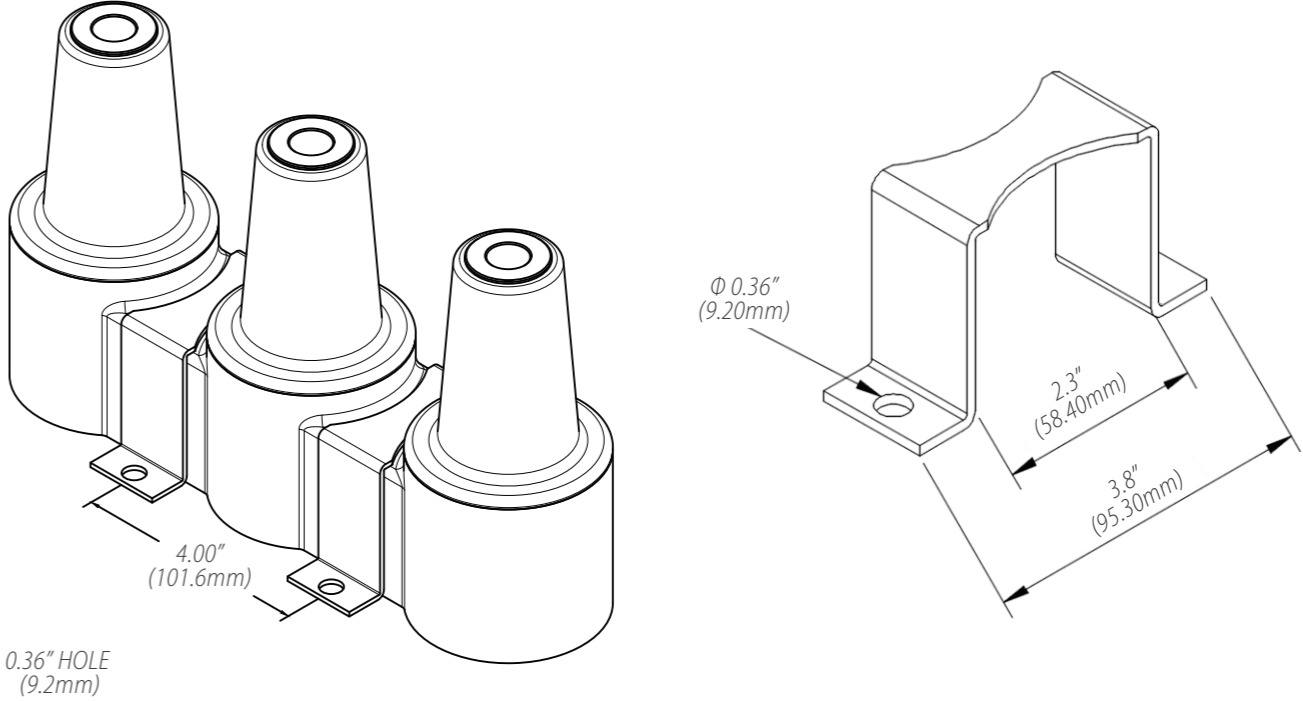


Dimensional Information

Number of Interfaces	Physical Dimensions in./mm		
	A	B	C
2-way	16.0 [406]	8.0 [204]	1
3-way	20.0 [508]	12.0 [304]	1
4-way	24.0 [610]	8.0 [203]	2

Configuration 1 : Both feet turned out.
 Configuration 2 : One feet turned out , the other in.
 Configuration 3 : Both feet turned in.

JUNCTION WITH U-STRAP DIMENSIONAL INFORMATION





CHARDON TAIWAN CORPORATION

No.37 Min-Chie Road, Tung Lo
Industrial Park, Miao Li, Taiwan 366

Tel : +886-37-984385

Fax : +886-37-984770

www.chardongroup.com • info@chardongroup.com