



Hammond Power Solutions Inc.

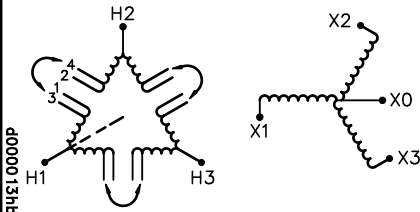


GENERAL PURPOSE TRANSFORMER 252L E50394

GUELPH, ONT. BARABOO, WI COMPTON, CA MONTERREY, MX

HPS FORTRESS™  
COMMERCIAL POTTED DISTRIBUTION TRANSFORMER

HV/HT	480V			Cust. Ref. Réf. du client																
BIL	-			Serial No. No. de série																
TERM. BORNES	H1 H2 H3			Part No. No. de pièce	C3F009KBS															
	Phase	3																		
	kVA	9																		
	TYPE	QT																		
	Cooling Refroidissement	ANC																		
	Temp. Class Classe de Temp.	180 °C																		
	Frequency Fréquence	60 Hz																		
	Impédance % @ 135 °C	2.9																		
	Encl. Type Type de boîtier	NEMA-3R																		
	Wt Poids	lbs/kg 203/93																		
		<table border="1"> <thead> <tr> <th>VOLTS COURANT</th> <th>CURRENT % TENSION NOMINALE</th> <th>% RATED VOLTAGE % TENSION NOMINALE</th> <th>CONNECTION EACH PHASE CONNEXION PAR PHASE</th> </tr> </thead> <tbody> <tr> <td>480</td> <td>10.8</td> <td>100</td> <td>1-2</td> </tr> <tr> <td>456</td> <td>11.4</td> <td>95</td> <td>2-3</td> </tr> <tr> <td>432</td> <td>12.0</td> <td>90</td> <td>3-4</td> </tr> </tbody> </table>	VOLTS COURANT	CURRENT % TENSION NOMINALE	% RATED VOLTAGE % TENSION NOMINALE	CONNECTION EACH PHASE CONNEXION PAR PHASE	480	10.8	100	1-2	456	11.4	95	2-3	432	12.0	90	3-4		
VOLTS COURANT	CURRENT % TENSION NOMINALE	% RATED VOLTAGE % TENSION NOMINALE	CONNECTION EACH PHASE CONNEXION PAR PHASE																	
480	10.8	100	1-2																	
456	11.4	95	2-3																	
432	12.0	90	3-4																	
LV/BT	208Y/120V																			
BIL	-																			
TERM. BORNES	X0 X1 X2 X3																			



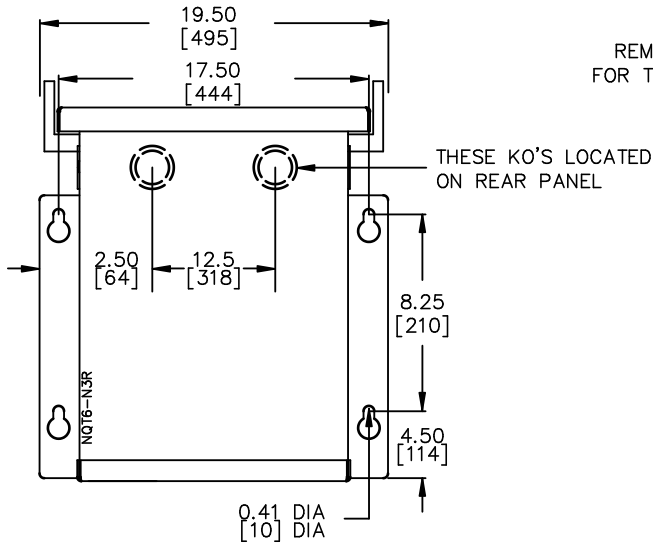
ELECTROSTATIC SHIELD



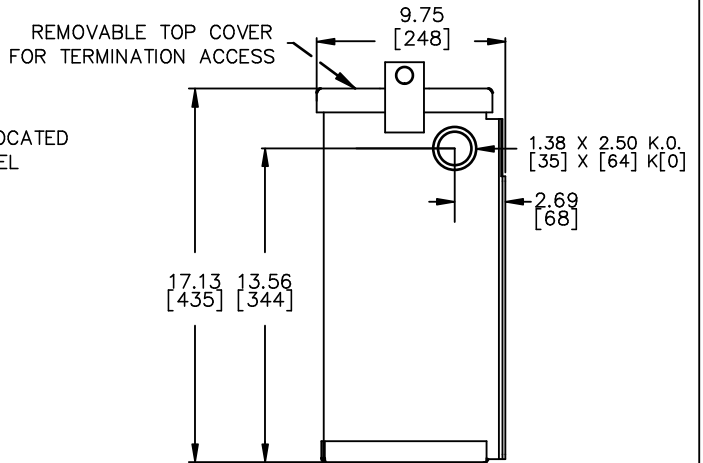
TITLE: 3PH DISTRIBUTION TRANSFORMER NAMEPLATE INFORMATION				
2	21/07/13	PP	EDB UPDATE	DES: GCALOTA
1	13/09/12	PP	HCN: 47305	DATE: 08/10/21
NO.	DATE	BY	REVISION	SCALE: NTS

SHEET 1 OF 2  
EDBC3F009KBS  
2.0 Jwen 2021/07/13 17:02

FRONT VIEW



SIDE VIEW



All Dimensions in inches[mm]

ENCLOSURE COLOR :ANSI 61 GREY – OUTDOOR

CUSTOMER NOTES:

- HV1 TERMINATED AT TOP FRONT SEW LEADS
- LV1 TERMINATED AT TOP REAR SEW LEADS



**Hammond Power Solutions Inc.**

TITLE: 3PH DISTRIBUTION TRANSFORMER

2	21/07/13	PP	EDB UPDATE	DES: GCALOTA
1	13/09/12	PP	HCN: 47305	DATE: 08/10/21
NO.	DATE	BY	REVISION	SCALE: NTS

SHEET 2 OF 2

EDBC3F009KBS

2.0 jwen 2021/07/13 17:02