



Hammond Power Solutions

MONTERREY, MX GUELPH, ONT. BARABOO, WI COMPTON, CA

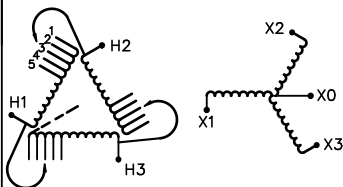


HPS EXPRESS™ L  
TRANSFORMADOR TIPO SECO BARNIZADO  
VARNISHED DRY TYPE TRANSFORMER

Modelo Part Number: EL1A0075MC  
No. de Serie Serial Number: [ ]

AT/HV	480V 90.2A	Ref. de Cliente Customer Reference	[ ]
NBAI BIL	10	Fase Phase	3
TERM.	H1 H2 H3	Tipo TYPE	K
		Enfriamiento Cooling	AN
		kVA	75
		Incremento de Temp. Temp. Rise	150 °C
		Clase de Temp. Temp. Class	220 °C
		Frecuencia Frequency	60 Hz
		Impedancia % Impedance % @ 170 °C	6.5
		Tipo de Gabinete Encl. Type	2
BT/LV	220Y/127V 197A	Masa Del Núcleo Y Devanados lbs/kg C&C Wt.	445/202
NBAI BIL	10	Masa Total Total Wt. lbs/kg	565/257
TERM.	X0 X1 X2 X3	Material de Conductores de Devanados Winding Material	AL

VOLTIOS VOLTS	CORRIENTE CURRENT AMPS	% VOLTAJE NOMINAL % RATED VOLTAGE	CONEXIÓN POR FASE CONNECTION
504	85.9	105	1
480	90.2	100	2-N
459	94.3	95.7	3
439	98.7	91.4	4
418	103.6	87.1	5



EL ESPACIO ENTRE CUALQUIER PANEL DE CUBIERTA VENTILADO Y CUALQUIER PARED ADYACENTE SER DE UN MÍNIMO DE 76 MM (3 IN)

SPACINGS BETWEEN ANY VENTILATED ENCLOSURE PANEL AND ANY ADJACENT WALL SHALL BE A MINIMUM OF 76 MM (3 IN)

TRANSFORMADOR REDUCTOR  
STEP DOWN TRANSFORMER

d00022.1sp

FABRICADO EN/MADE IN MÉXICO

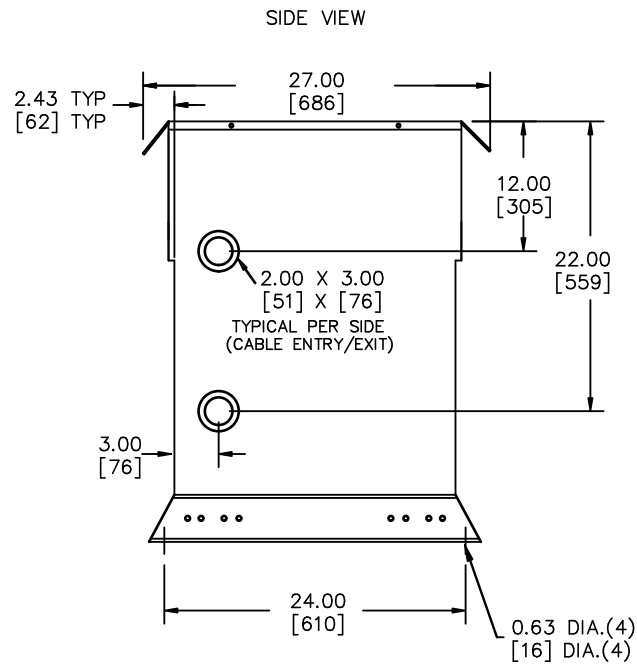
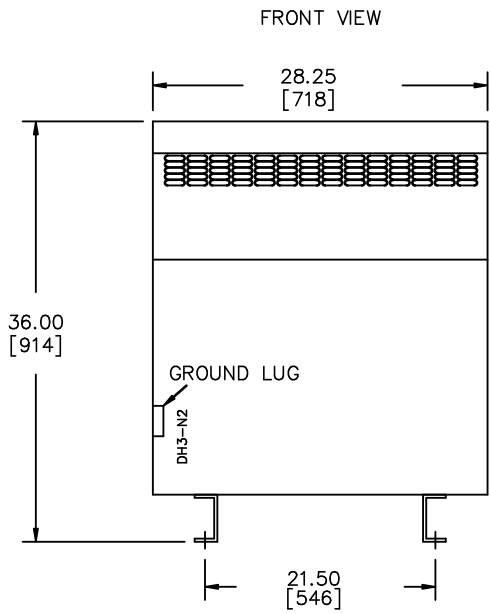


Hammond Power Solutions Inc.

TITLE: 3PH DISTRIBUTION TRANSFORMER NAMEPLATE INFORMATION			
			DES: PPICASSI
			DATE: 22/01/27
NO.	DATE	BY	REVISION
			SCALE: NTS

SHEET 1 OF 2  
EDBELL1A0075MC

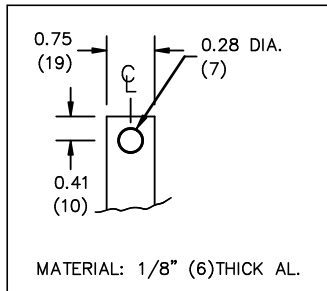
0.0 ppicassinos 2022/01/27 09:35



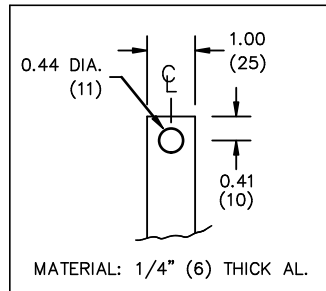
All Dimensions in inches[mm]

ENCLOSURE COLOR :ANSI 61 GREY – OUTDOOR

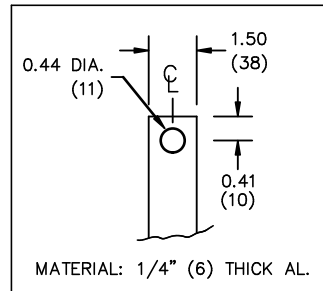
HV TERMINAL DETAIL



LV TERMINAL DETAIL



X0 TERMINAL DETAIL



CUSTOMER NOTES:

- HV TERMINATED AT TOP FRONT
- LV TERMINATED AT TOP FRONT
- X0 TERMINATED AT TOP FRONT



TITLE: 3PH DISTRIBUTION TRANSFORMER

DES:	PPICASSI
DATE:	22/01/27
SCALE:	NTS

SHEET 2 OF 2

EDBELL1A0075MC