



Hammond Power Solutions Inc.

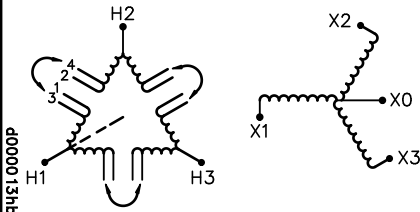


GENERAL PURPOSE TRANSFORMER 252L E50394

GUELPH, ONT. BARABOO, WI COMPTON, CA MONTERREY, MX

HPS FORTRESS™  
COMMERCIAL POTTED DISTRIBUTION TRANSFORMER

| HV/HT        | 480V                           |   |  | Cust. Ref.<br>Réf. du client |   |  |     |     |     |     |     |     |     |     |     |     |    |     |  |  |
|--------------|--------------------------------|---|--|------------------------------|---|--|-----|-----|-----|-----|-----|-----|-----|-----|-----|-----|----|-----|--|--|
| BIL          | -                              |   |  | Serial No.<br>No. de série   |   |  |     |     |     |     |     |     |     |     |     |     |    |     |  |  |
| TERM. BORNES | H1 H2 H3                       |   |  | Part No.<br>No. de pièce     | C3F006KBS                                   |  |     |     |     |     |     |     |     |     |     |     |    |     |  |  |
|              | Phase                          | 3   |  |                              |   |  |     |     |     |     |     |     |     |     |     |     |    |     |  |  |
|              | kVA                            | 6   |  |                              |   |  |     |     |     |     |     |     |     |     |     |     |    |     |  |  |
|              | TYPE                           | QT  |  |                              |   |  |     |     |     |     |     |     |     |     |     |     |    |     |  |  |
|              | Cooling<br>Refroidissement     | ANC   |  |                              |   |  |     |     |     |     |     |     |     |     |     |     |    |     |  |  |
|              | Temp. Class<br>Classe de Temp. | 180 °C  |  |                              |   |  |     |     |     |     |     |     |     |     |     |     |    |     |  |  |
|              | Frequency<br>Fréquence         | 60 Hz   |  |                              |   |  |     |     |     |     |     |     |     |     |     |     |    |     |  |  |
|              | Impédance %<br>@ 135 °C        | 3.9   |  |                              |   |  |     |     |     |     |     |     |     |     |     |     |    |     |  |  |
|              | Encl. Type<br>Type de boîtier  | NEMA-3R   |  |                              |   |  |     |     |     |     |     |     |     |     |     |     |    |     |  |  |
|              | Wt<br>Poids                    | lbs/kg 205/93   |  |                              |   |  |     |     |     |     |     |     |     |     |     |     |    |     |  |  |
|              |                                | <table border="1"> <thead> <tr> <th>VOLTS</th> <th>CURRENT<br/>COURANT</th> <th>% RATED<br/>VOLTAGE<br/>% TENSION<br/>NOMINALE</th> <th>CONNECTION<br/>EACH PHASE<br/>CONNEXION<br/>PAR PHASE</th> </tr> </thead> <tbody> <tr> <td>504</td> <td>6.9</td> <td>105</td> <td>1-2</td> </tr> <tr> <td>480</td> <td>7.2</td> <td>100</td> <td>2-3</td> </tr> <tr> <td>456</td> <td>7.6</td> <td>95</td> <td>3-4</td> </tr> </tbody> </table> | VOLTS  | CURRENT<br>COURANT           | % RATED<br>VOLTAGE<br>% TENSION<br>NOMINALE | CONNECTION<br>EACH PHASE<br>CONNEXION<br>PAR PHASE | 504 | 6.9 | 105 | 1-2 | 480 | 7.2 | 100 | 2-3 | 456 | 7.6 | 95 | 3-4 |  |  |
| VOLTS        | CURRENT<br>COURANT             | % RATED<br>VOLTAGE<br>% TENSION<br>NOMINALE   | CONNECTION<br>EACH PHASE<br>CONNEXION<br>PAR PHASE |                              |   |  |     |     |     |     |     |     |     |     |     |     |    |     |  |  |
| 504          | 6.9                            | 105   | 1-2  |                              |   |  |     |     |     |     |     |     |     |     |     |     |    |     |  |  |
| 480          | 7.2                            | 100   | 2-3  |                              |   |  |     |     |     |     |     |     |     |     |     |     |    |     |  |  |
| 456          | 7.6                            | 95  | 3-4  |                              |   |  |     |     |     |     |     |     |     |     |     |     |    |     |  |  |
| LV/BT        | 208Y/120V                      |   |  |                              |   |  |     |     |     |     |     |     |     |     |     |     |    |     |  |  |
| BIL          | -                              |   |  |                              |   |  |     |     |     |     |     |     |     |     |     |     |    |     |  |  |
| TERM. BORNES | X0 X1 X2 X3                    |   |  |                              |   |  |     |     |     |     |     |     |     |     |     |     |    |     |  |  |



ELECTROSTATIC SHIELD



Hammond Power Solutions Inc.

TITLE: 3PH DISTRIBUTION TRANSFORMER  
NAMEPLATE INFORMATION

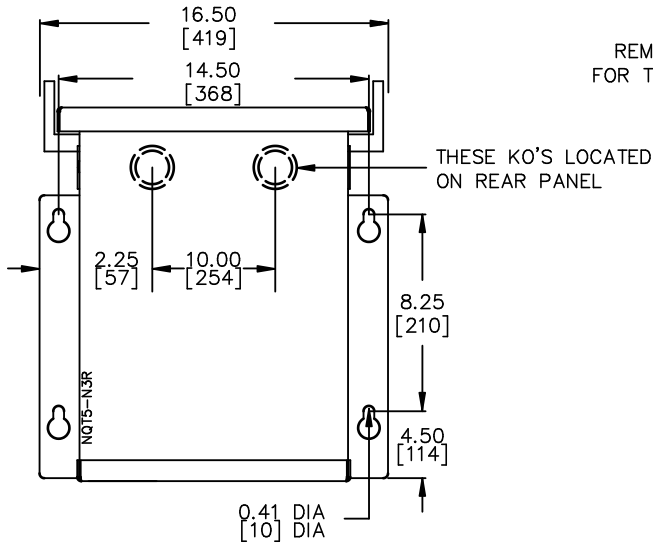
|     |          |    |            |                |
|-----|----------|----|------------|----------------|
| 2   | 21/07/13 | PP | EDB UPDATE | DES: GCALOTA   |
| 1   | 13/09/12 | PP | HCN: 47301 | DATE: 08/10/21 |
| NO. | DATE     | BY | REVISION   | SCALE: NTS     |

SHEET 1 OF 2

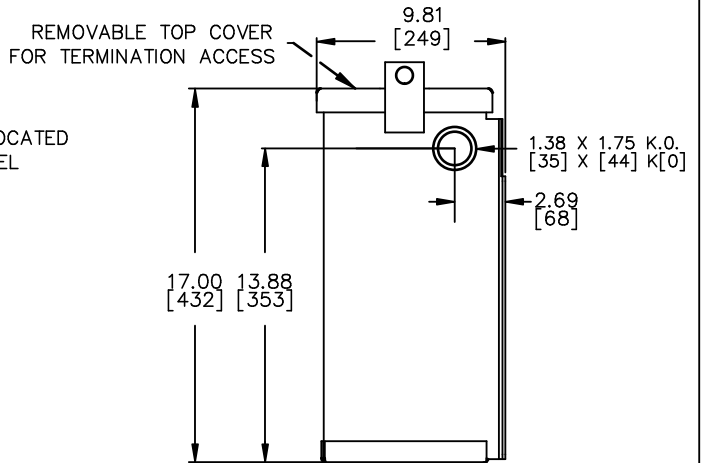
EDBC3F006KBS

2.0 Jwen 2021/07/13 17:02

FRONT VIEW



SIDE VIEW



All Dimensions in inches[mm]

ENCLOSURE COLOR :ANSI 61 GREY – OUTDOOR

CUSTOMER NOTES:

- HV1 TERMINATED AT TOP FRONT SEW LEADS
- LV1 TERMINATED AT TOP REAR SEW LEADS



TITLE: 3PH DISTRIBUTION TRANSFORMER

|     |          |    |            |                |
|-----|----------|----|------------|----------------|
| 2   | 21/07/13 | PP | EDB UPDATE | DES: GCALOTA   |
| 1   | 13/09/12 | PP | HCN: 47301 | DATE: 08/10/21 |
| NO. | DATE     | BY | REVISION   | SCALE: NTS     |

SHEET 2 OF 2

EDBC3F006KBS

2.0 jwen 2021/07/13 17:02