



Hammond Power Solutions Inc.

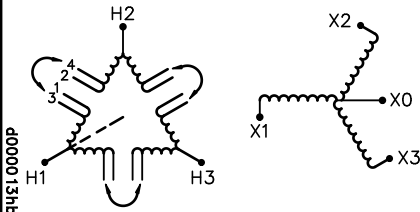


GENERAL PURPOSE TRANSFORMER 252L E50394

GUELPH, ONT. BARABOO, WI COMPTON, CA MONTERREY, MX

HPS FORTRESS™
COMMERCIAL POTTED DISTRIBUTION TRANSFORMER

HV/HT	480V			Cust. Ref. Réf. du client																
BIL	-			Serial No. No. de série																
TERM. BORNES	H1 H2 H3			Part No. No. de pièce	C3F003KBS															
	Phase	3																		
	kVA	3																		
	TYPE	QT																		
	Cooling Refroidissement	ANC																		
	Temp. Class Classe de Temp.	130 °C																		
	Frequency Fréquence	60 Hz																		
	Impédance % @ 100 °C	4.5																		
	Encl. Type Type de boîtier	3R																		
	Wt Poids	lbs/kg 68/31																		
		<table border="1"> <thead> <tr> <th>VOLTS</th> <th>CURRENT COURANT</th> <th>% RATED VOLTAGE % TENSION NOMINALE</th> <th>CONNECTION EACH PHASE CONNEXION PAR PHASE</th> </tr> </thead> <tbody> <tr> <td>504</td> <td>3.4</td> <td>105</td> <td>1-2</td> </tr> <tr> <td>480</td> <td>3.6</td> <td>100</td> <td>2-3</td> </tr> <tr> <td>456</td> <td>3.8</td> <td>95</td> <td>3-4</td> </tr> </tbody> </table>	VOLTS	CURRENT COURANT	% RATED VOLTAGE % TENSION NOMINALE	CONNECTION EACH PHASE CONNEXION PAR PHASE	504	3.4	105	1-2	480	3.6	100	2-3	456	3.8	95	3-4		
VOLTS	CURRENT COURANT	% RATED VOLTAGE % TENSION NOMINALE	CONNECTION EACH PHASE CONNEXION PAR PHASE																	
504	3.4	105	1-2																	
480	3.6	100	2-3																	
456	3.8	95	3-4																	
LV/BT	208Y/120V																			
BIL	-																			
TERM. BORNES	X0 X1 X2 X3																			



ELECTROSTATIC SHIELD



Hammond Power Solutions Inc.

TITLE: 3PH DISTRIBUTION TRANSFORMER
NAMEPLATE INFORMATION

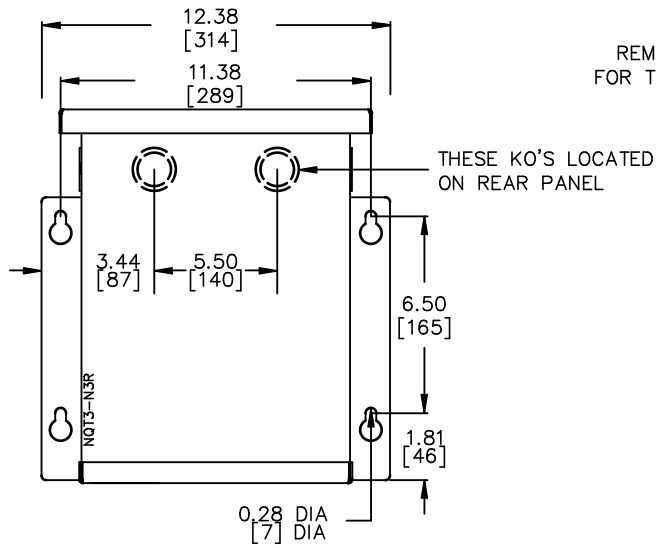
1	21/07/13	PP	EDB UPDATE	DES: WWONG
NO.	DATE	BY	REVISION	SCALE: NTS

SHEET 1 OF 2

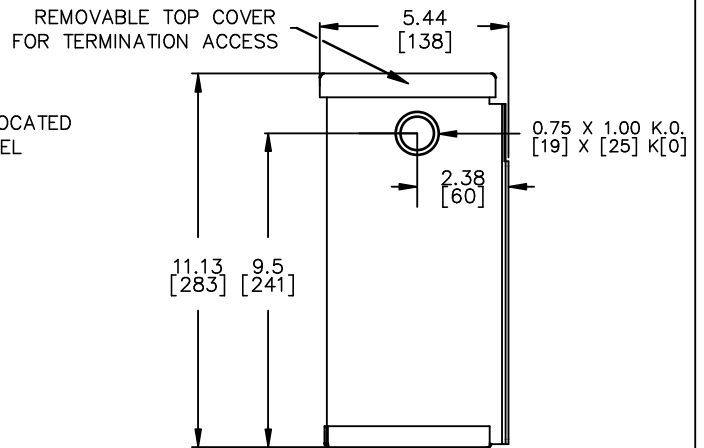
EDB C3F003KBS

1.0 Juin 2021/07/13 17:02

FRONT VIEW



SIDE VIEW



All Dimensions in inches[mm]

ENCLOSURE COLOR : ANSI 61 GREY – OUTDOOR

CUSTOMER NOTES:

- HV1 TERMINATED AT LEADS
- LV1 TERMINATED AT LEADS



Hammond Power Solutions Inc.

TITLE: 3PH DISTRIBUTION TRANSFORMER

1	21/07/13	PP	EDB UPDATE	DES: WWONG
NO.	DATE	BY	REVISION	SCALE: NTS

SHEET 2 OF 2

EDBC3F003KBS

1.0 Wen 2021/07/13 17:02