



Hammond Power Solutions

MONTERREY, MX GUELPH, ONT. BARABOO, WI COMPTON, CA

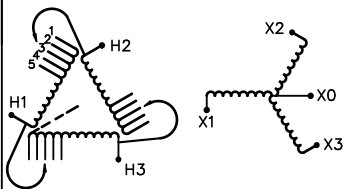


HPS EXPRESS™ L  
TRANSFORMADOR TIPO SECO BARNIZADO  
VARNISHED DRY TYPE TRANSFORMER

Modelo Part Number **EL1A0112MC**  
No. de Serie Serial Number

AT/HV	<b>480V</b> 135A	Ref. de Cliente Customer Reference	
NBAI BIL	—	Fase Phase	<b>3</b>
TERM.	<b>H1 H2 H3</b>	Tipo TYPE	<b>K</b>
		Enfriamiento Cooling	<b>ANN</b>
		kVA	<b>112.5</b>
		Incremento de Temp. Temp. Rise	<b>150 °C</b>
		Clase de Temp. Temp. Class	<b>220 °C</b>
		Frecuencia Frequency	<b>60 Hz</b>
		Impedancia % Impedance % @ 170 °C	<b>5.9</b>
		Tipo de Gabinete Encl. Type	<b>2</b>
BT/LV	<b>220Y/127V</b> 295A	Masa Del Núcleo Y Devanados lbs/kg C&C Wt.	<b>580/264</b>
NBAI BIL	—	Masa Total Total Wt. lbs/kg	<b>675/307</b>
TERM.	<b>X0 X1 X2 X3</b>	Material de Conductores de Devanados Winding Material	<b>AL</b>

VOLTIOS VOLTS	CORRIENTE CURRENT AMPS	% VOLTAJE NOMINAL % RATED VOLTAGE	CONEXIÓN POR FASE CONNECTION
504	129	105	1
480	135	100	2
460	141	96	3
440	148	92	4
418	155	87	5



SPACINGS BETWEEN ANY VENTILATED ENCLOSURE PANEL AND ANY ADJACENT WALL SHALL BE A MINIMUM OF 5 INCHES EXCEPT WHEN WALL MOUNTED USING APPROVED WALL MOUNTING KIT

d00022.1sp

FABRICADO EN/MADE IN MÉXICO



Hammond Power Solutions Inc.

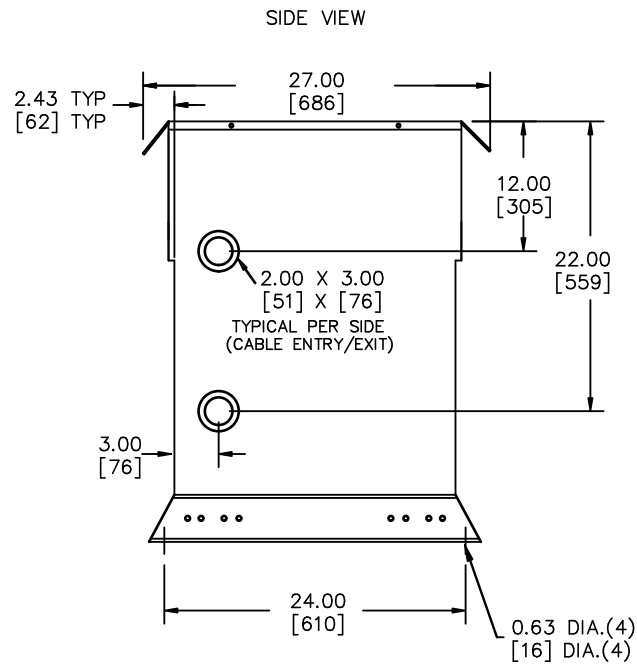
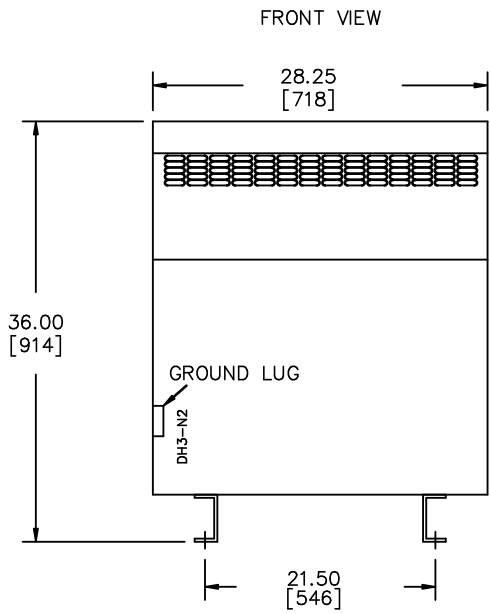
TITLE: 3PH DISTRIBUTION TRANSFORMER  
NAMEPLATE INFORMATION

				DES: PPICASSI
				DATE: 22/01/27
NO.	DATE	BY	REVISION	SCALE: NTS

SHEET 1 OF 2

EDBELL1A0112MC

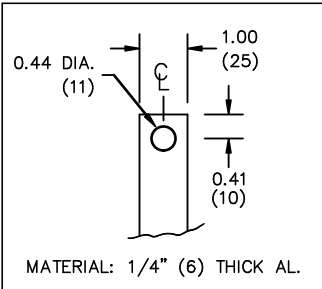
0.0 ppicasss 2022/01/27 09:37



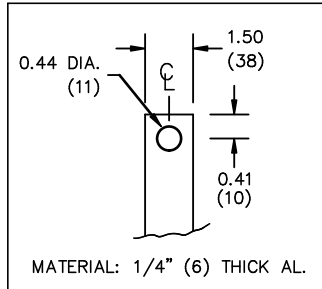
All Dimensions in inches[mm]

ENCLOSURE COLOR :ANSI 61 GREY – OUTDOOR

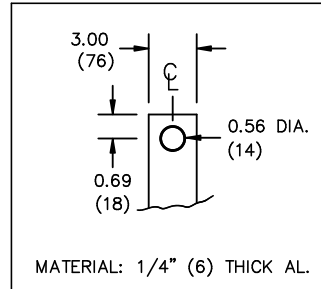
HV TERMINAL DETAIL



LV TERMINAL DETAIL



X0 TERMINAL DETAIL



CUSTOMER NOTES:

- HV TERMINATED AT TOP FRONT
- LV TERMINATED AT BOTTOM FRONT
- X0 TERMINATED AT BOTTOM FRONT



TITLE: 3PH DISTRIBUTION TRANSFORMER

				DES: PPICASSI
				DATE: 22/01/27
NO.	DATE	BY	REVISION	SCALE: NTS

SHEET 2 OF 2

EDBELL1A0112MC