



Hammond Power Solutions Inc.

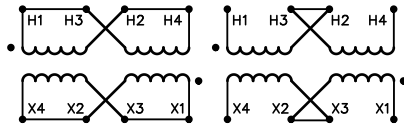


GENERAL PURPOSE TRANSFORMER 252L E50394

GUELPH, ONT. BARABOO, WI COMPTON, CA MONTERREY, MX

HPS FORTRESS™
COMMERCIAL POTTED DISTRIBUTION TRANSFORMER

HV/HT	240V X 480V 12.8A/6.4A			Cust. Ref. Réf. du client										
BIL	-			Serial No. No. de série										
TERM. BORNES	H1	H3	H2	H4	Part No. No. de pièce	C1F003LES								
	<table border="1"> <thead> <tr> <th>VOLTS</th> <th>CURRENT COURANT</th> <th>% RATED VOLTAGE % TENSION NOMINALE</th> <th>CONNECTION EACH PHASE CONNEXION PAR PHASE</th> </tr> </thead> <tbody> <tr> <td></td> <td></td> <td></td> <td></td> </tr> </tbody> </table>				VOLTS	CURRENT COURANT	% RATED VOLTAGE % TENSION NOMINALE	CONNECTION EACH PHASE CONNEXION PAR PHASE					Phase	
VOLTS	CURRENT COURANT	% RATED VOLTAGE % TENSION NOMINALE	CONNECTION EACH PHASE CONNEXION PAR PHASE											
					kVA	3								
					TYPE	Q								
					Cooling Refroidissement	ANC								
					Temp. Class Classe de Temp.	180 °C								
					Frequency Fréquence	60 Hz								
					Impédance % @ 135 °C	2.4								
LV/BT	120V/240V 25A/12.5A			Encl. Type Type de boîtier	3R									
BIL	-			Wt Poids	lbs/kg	55/25								
TERM. BORNES	X4	X2	X3	X1										



ELECTROSTATIC SHIELD

400001344



Hammond Power Solutions Inc.

TITLE: 1PH DISTRIBUTION TRANSFORMER
NAMEPLATE INFORMATION

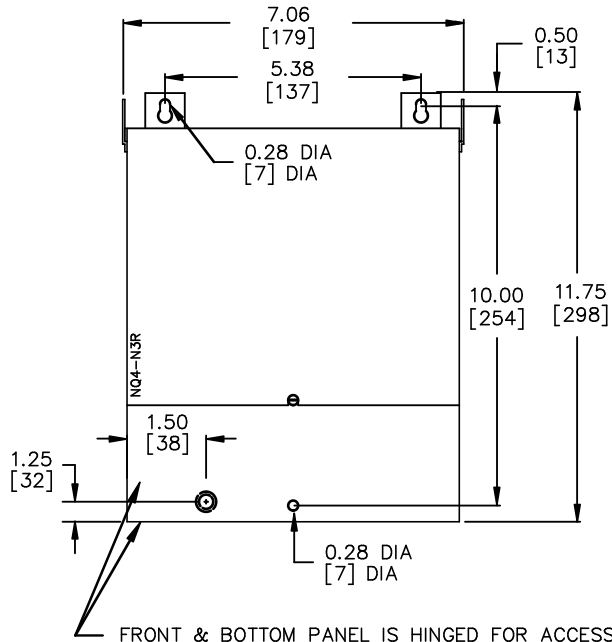
1	21/07/13	PP	EDB UPDATE	DES: LCEN
NO.	DATE	BY	REVISION	SCALE: NTS

SHEET 1 OF 2

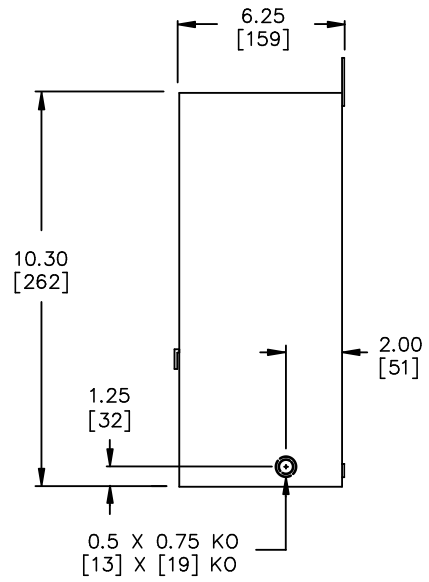
EDBC1F003LES

1.0_wen 2021/07/13 16:57

FRONT VIEW



SIDE VIEW



FRONT & BOTTOM PANEL IS HINGED FOR ACCESS TO TERMINALS, BOTTOM MOUNTING HOLES AND REAR KNOCKOUT.

All Dimensions in inches[mm]

ENCLOSURE COLOR : ANSI 61 GREY – OUTDOOR

CUSTOMER NOTES:

- HV1 TERMINATED AT BOT FRONT
- LV1 TERMINATED AT BOT FRONT



TITLE: 1PH DISTRIBUTION TRANSFORMER

1	21/07/13	PP	EDB UPDATE	DES: LCEN
NO.	DATE	BY	REVISION	SCALE: NTS

SHEET 2 OF 2

EDBC1F003LES

1.0 Wed 20/07/13 16:57