



Hammond  
Power Solutions

GUELPH, ONT. BARABOO, WI. COMPTON, CA. MONTERREY, MX



LR 3902



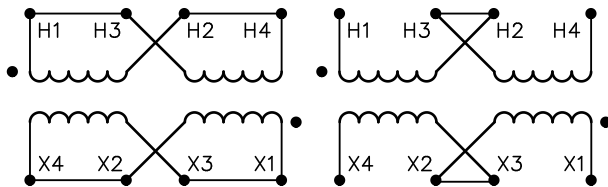
GENERAL  
PURPOSE  
TRANSFORMER  
252L  
E50394

LISTED

HPS FORTRESS™  
COMMERCIAL POTTED DISTRIBUTION TRANSFORMER

HV/HT	240V X 480V
BIL	—
TERM. BORNES	H1 H3 H2 H4
LV/BT	120V/240V
BIL	—
TERM. BORNES	X4 X2 X3 X1

Cust. Ref. Réf. du client	
Serial No. No. de série	
Part No. No. de pièce	C1F1C5LES
PHASE	
kVA	1.5
TYPE	Q
Cooling Refroidissement	ANC
Temp. Class Classe de Temp.	180 °C
Frequency Fréquence	60 Hz
Impédance % @ 135 °C	4.1
Encl. Type Type de boîtier	3R
Wt Poids lbs/kg	34/16



d000013hbsm



ELECTROSTATIC SHIELD.

FABRIQUÉ AU CANADA  
MADE IN CANADA



Hammond Power  
Solutions Inc.

TITLE: 1PH DISTRIBUTION TRANSFORMER  
NAMEPLATE INFORMATION

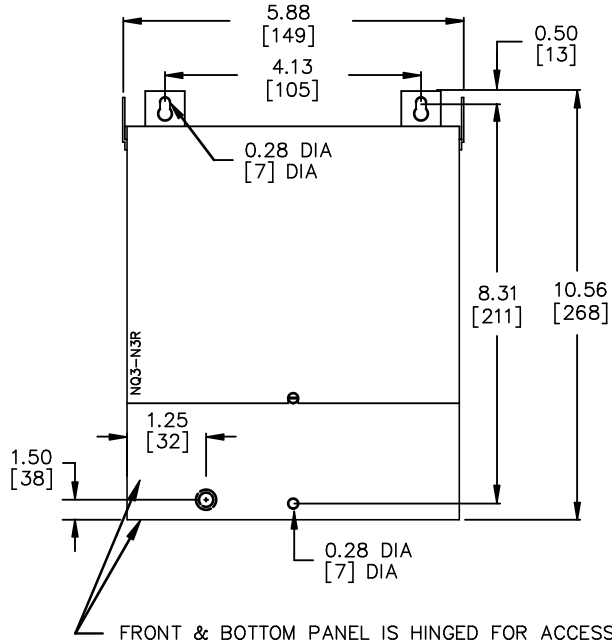
2	21/07/13	PP	EDB UPDATE	DES: LCEN
1	10/07/20	LC	CHANGED WEIGHT	DATE: 08/10/17
NO.	DATE	BY	REVISION	SCALE: NTS

SHEET 1 OF 2

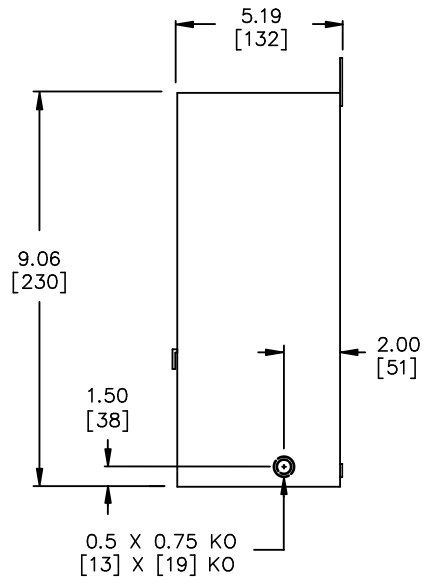
EDBC1F1C5LES

2.0 Jwn 2013/07/13 16:59

FRONT VIEW



SIDE VIEW



FRONT & BOTTOM PANEL IS HINGED FOR ACCESS TO TERMINALS, BOTTOM MOUNTING HOLES AND REAR KNOCKOUT.

All Dimensions in inches[mm]

ENCLOSURE COLOR : ANSI 61 GREY – OUTDOOR

CUSTOMER NOTES:

- HV1 TERMINATED AT BOT FRONT SEW LEADS
- LV1 TERMINATED AT BOT FRONT SEW LEADS



TITLE: 1PH DISTRIBUTION TRANSFORMER

2	21/07/13	PP	EDB UPDATE	DES: LCEN
1	10/07/20	LC	CHANGED WEIGHT	DATE: 08/10/17
NO.	DATE	BY	REVISION	SCALE: NTS

SHEET 2 OF 2

EDB01F105LES

2.0 Wed 11/07/2013 16:59