



GE INDUSTRIAL MOTORS
a **WOLONG** company

Product Technical Information

September 26, 2022

Data shown is for the current revision model #. Ensure your nameplate model # matches.

Model Number:	5KS326DAJ6005D
Catalog Number:	V4415
Instruction Manual:	GEI-M1045
Connection Diagram:	GEM2034E-FIG9
Outline Drawing:	148CB32VMHKBCAA0001

Accessory Connection Diagrams			
Bearing Thermocouple:	None	Heater:	3027JE-1C
RTD:	None	Thermistor:	None
Thermostat:	None	Winding Thermocouple:	None
Bearing RTD:	None		

Table of Contents

Specification	01
Performance Characteristics	02
Outline Drawing	03
Connection Drawing(s)	04
Spare parts	05

Marks:

MODEL NUMBER:	5KS326DAJ6005D	Estimated Weight:	740 Lbs
Outline Drawing:	148CB32VMHKBCAA0001	Time Rating:	CONT
Connection Diagram:	GEM2034E-FIG9	Enclosure:	WPI
Instruction Book:	GEI-M1045	Encl Construction:	OPEN
Design Code:	32BD1183AB	Ambient Max(°C):	40
Type:	KS	Alt Ambient Max(°C):	--
Frame:	L326TP16	Insulation Class:	H
Phases:	3	NEMA Design:	B
Poles:	4	Nominal Efficiency:	94.5 %
Output Power:	50HP 37KW	Guaranteed Efficiency:	93.600 %
RPM:	1780	3/4 Load Efficiency:	--
Voltage:	230/460	KVA Code:	G
Hertz:	60	Max KVAR:	17.7
Amps - FL:	122.0/61.0	Power Factor:	81.5
Service Factor:	1.15	Bearing - DE:	6212C3
Alt Service Factor:	--	Bearing - ODE:	235A2523AD01

Enclosure is Weather Protected One

Stamped Nameplate Notes:

NEMA ENCLOSURE WP-I, CSA ENCL DP
HTR LDS HE1-HE2 115V 100W
ROT CCW FACING ODE LEAD/PH SEQ 1-2-3/1-2-3
INVERTER DUTY PER NEMA MG1 PART 31
ALTERNATE RATING FOR PWM CONTROL:1.0SF 40C AMBIENT
VAR TORQUE RANGE 5 -60 HZ
UPPER BRG LUBE OIL: 2.1 QTS
0 DEG C TO 40 DEG C : ISO 32(MINERAL OR SYNTHETIC)
-15 DEG C TO 0 DEG C : ISO 32 SYNTHETIC
SUITABLE FOR 40 HP, 190/380V, 50 HZ WITH
118.4/59.2 AMPS AND 1480 RPM AT 1.0 SF



Additional Information:

4P, VERT HOLLOW SHAFT HIGH THRUST (1D)
C/BOX 346 CU IN - 3.00" NPT
SPECIAL BALANCE
OIL RESISTANT SLEEVING ON LEADS
115V HTR LDS TO MAIN CONDUIT BOX
BEARING LIFE 8760 HRS AT 6324 LB THRUST
CG:13.86 IN FROM P-BASE FACE, STAT DEF:0.0025 IN
RCF:3600 CPM AT C/BOX SIDE, 3870 CPM AT
90 DEG FROM C/ BOX SIDE
NON-REVERSE BALL CARRIER,
BOLTED COUPLING, BX = 1.251, EW = 0.25
COMMON FOR STD STOCK AS WELL AS FIRE PUMP



Performance Characteristics

1st Winding 1st Connection

Design: 32BD1183AB

Marks:

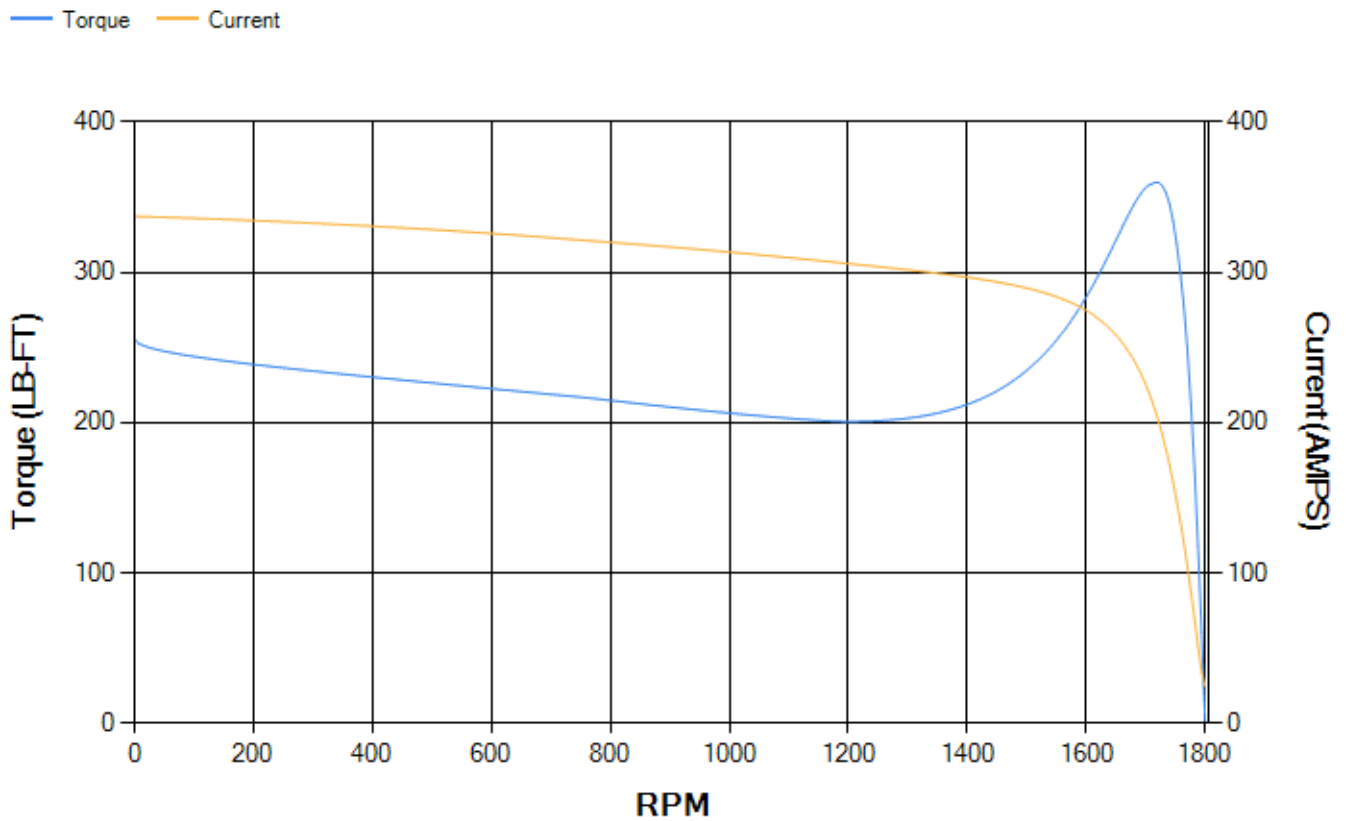
LOAD %	125.0	115.0	100.0	75.0	50.0	25.0	0.0
% EFF	93.76	94.01	94.48	94.43	93.82	90.55	0.00
% PF	82.99	82.53	81.26	76.84	66.88	44.85	4.15
AMPS	75.17	69.37	60.83	48.37	37.29	28.81	24.72

TORQ(FL)#FT	147.45	TORQ(LR)%FL	173.33	TORQ(BD)%FL	243.15
AMPS(LR)	337.38	PF AT START	0.34		

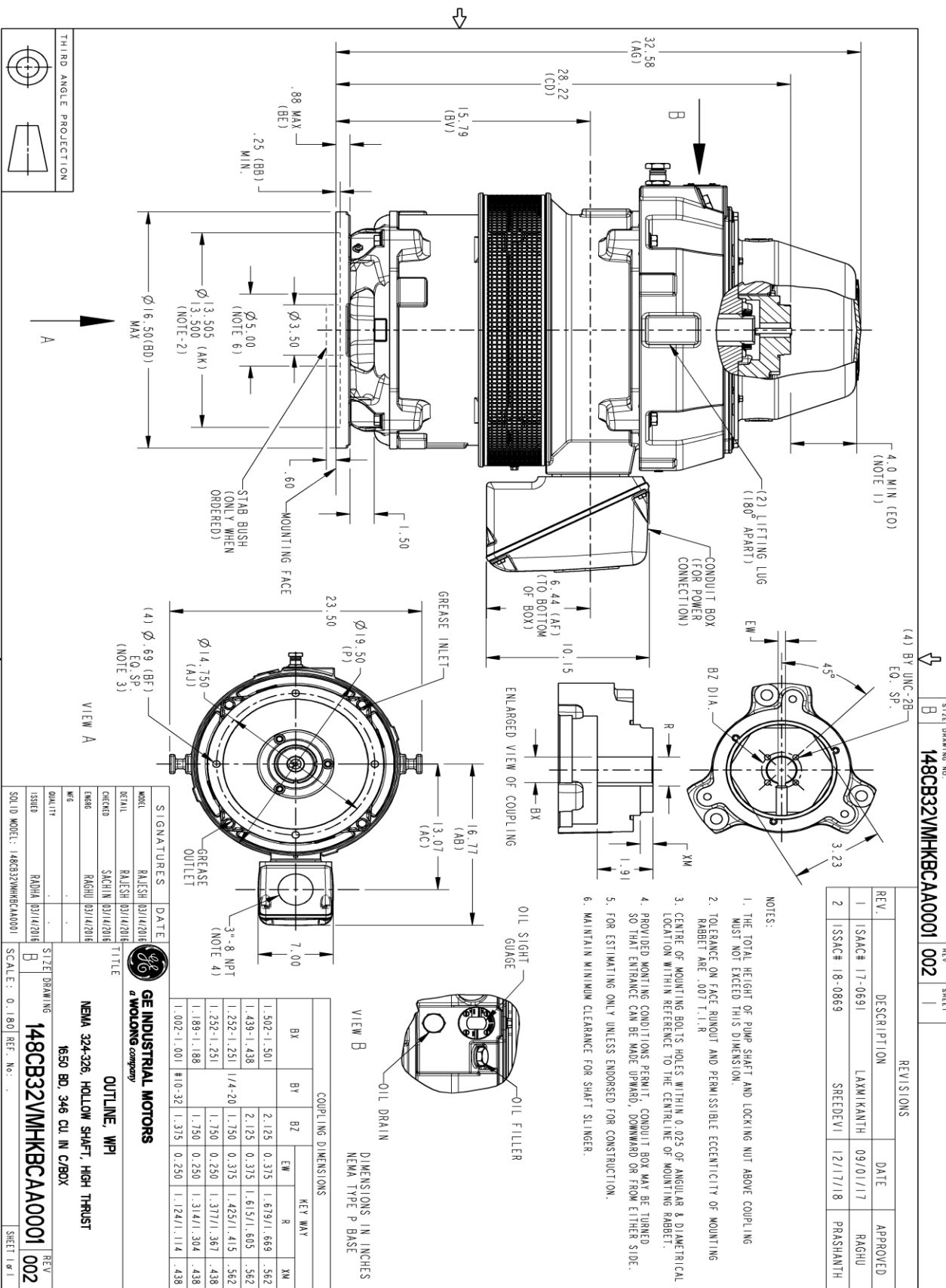
This motor is capable of two cold or one hot start with a maximum connected load inertia of 1384 Lb-Ft Sq (58.27 Kg-meter Sq)at 100% voltage, where the load torque varies with the square of the speed. Acceleration time with maximum inertia and the above load type is 44 seconds. Safe stall time at 100% voltage is 78 seconds cold, 53 seconds hot. Rotor inertia is 8.52 Lb-Ft Sq (0.36 Kg-meter Sq).

Open Circuit A-C:	0.57	Short Circuit D-C:	0.025
Short Circuit A-C:	0.035	X/R Ratio:	9.307
Stator Slots:	48	Rotor Slots:	38

Speed Torque Current Curve (First Connection, First Speed)



Marks:



REVISONS

REV.	DESCRIPTION	DATE	APPROVED
1	ISAC# 17-0691	09/01/17	RAGHU
2	ISSAC# 18-0869	12/17/18	PRAASHANTH

SIGNATURES

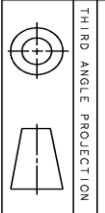
NO.	NAME	DATE	TITLE
1	RAJESH	03/14/2016	DESIGN
2	RAJESH	03/14/2016	DETAIL
3	SACHIN	03/14/2016	CHECKED
4	RAGHU	03/14/2016	ENGR

GE INDUSTRIAL MOTORS
a WOLONG company

OUTLINE, WPI
NEMA 324-326, HOLLOW SHAFT, HIGH THRUST
650 BD, 346 CU IN C/BOX

148CB32VMHKBCAA0001 002

SCALE: 0.180 REF. NO. SHEET 1 OF 1



SIZE DRAWING NO. **148CB32VMHKBCAA0001 002**

REV SHEET 1 OF 1

Marks:

Connection Diagram
GEM2034E-FIG9



Heater Connection
3027JE-1C



End shield Assembly		
Part Description	DE Side Part#	ODE Side Part#
End Shield	115E7205AA1	115E7208LK-G01
Bearing	235A2509BE01	235A2523AD01
Slinger/Inproseal	235A2300FM1	

Fan & Fan Cover Assembly	
Part Description	Part#
Fan	
Fan Cover	161C1052AA1

Conduit & Accessories Box Assembly	
Part Description	Part#
Conduit Box	149C4429AA2

Mechanical Accessories	
Part Description	Part#
Brake	
Tachometer	

